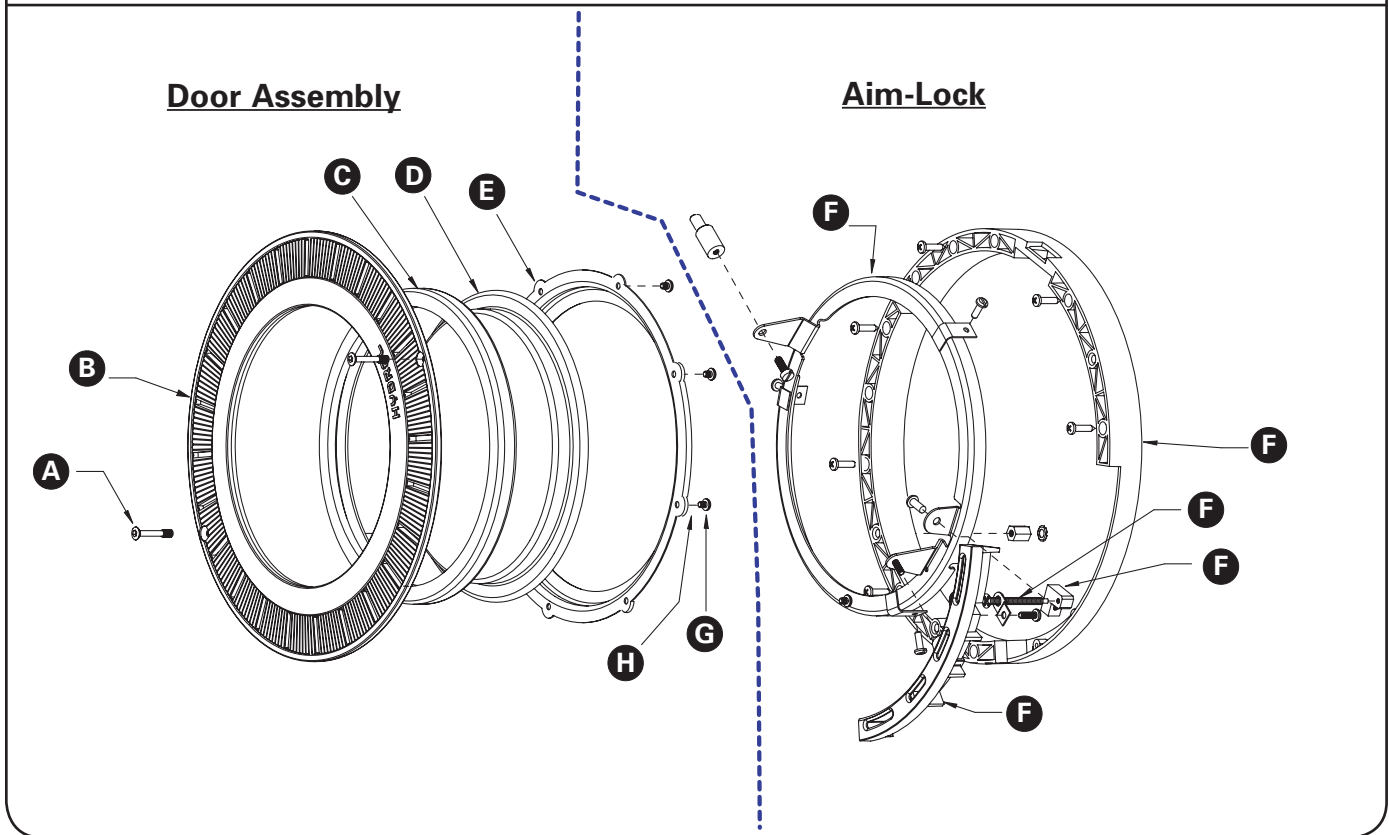


MFS94 DOUBLE LENS SPARE PARTS LIST

MFS94 DOUBLE LENS



part number	description	number per fixture
Ⓐ SCR6168	Captive Screws	2
Ⓑ (See next page for details.)	Door Assembly (includes A-E)	1
Ⓒ LG30581	Upper Lens Gasket	1
Ⓓ (See next page for details.)	Lens	1
Ⓔ LR30577	Retaining Ring Upper Lens	1
Ⓕ MFSAIMLK94	Aim Lock Assembly	1
Ⓖ SCRSS10-24x4/RD	Screws	8
Ⓗ SCRSS10TW-EXT	Star Washers	8

DOOR ASSEMBLIES

<u>part number</u>	<u>description</u>
DA94RD A _____ *	Round Aluminum
DA94RD B _____ *	Round Bronze
DA94RD SS _____ *	Round Stainless Steel
DA94SD A _____ *	Square Aluminum
DA94SD B _____ *	Square Bronze
DA94SD SS _____ *	Square Stainless Steel

*Available lenses:	
FLC	— Flat Lens Clear
FLC5	— Flat Lens with 5° Axial Spread
FLC10	— Flat Lens with a 10° tilt
FLC20	— Flat Lens with a 20° tilt
FLCAS	— Flat Lens with Anti-Slip
FLC5AS	— Flat Lens with 5° Axial Spread, Anti-Slip
CLC	— Convex Lens Clear
FLC10AS	— Flat Lens with a 10° tilt, Anti-Slip
FLC20AS	— Flat Lens with a 20° tilt, Anti-Slip

LENS ONLY

<u>part number</u>	<u>description</u>
L80117	Flat Lens Clear (FLC)
L80113	Flat Lens with a 5° Axial Spread (FLC5)
L80116	Flat Lens with a 10° tilt (FLC10)
L80114	Flat Lens with a 20° tilt (FLC20)
L80117AS	Flat Lens Clear, Anti-Slip (FLCAS)
L80113AS	Flat Lens Clear with a 5° Axial Spread, Anti-Slip (FLC5AS)
L8887	Convex Lens Clear (CLC)
L80116AS	Flat Lens with a 10° tilt, Anti-Slip (FLC10AS)
L80114AS	Flat Lens with a 20° titl, Anti-Slip (FLC20AS)