



PARADOX 4

Design2Ship™
4" Architectural In-Grade
LED (Line Voltage)



CATALOG NUMBER	
NOTES	
TYPE	

DESCRIPTION

Design2Ship™ is a quick-ship program with a 5 business days from clean release

Hydrel's PDX4 Paradox Series sealed ingrade luminaire is a multi-purpose unit designed for up lighting architectural and landscape features. These luminaires can be flush mounted into a variety of substrates including concrete, tile, mulch and decking.

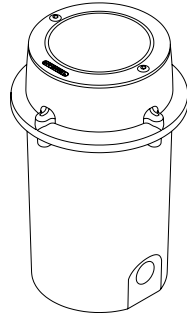
The PDX4 is IC rated up to 35 watts for wood or insulation applications

Specifications

L:	5"	127 mm
W:	4"	102 mm
H:	8"	203 mm



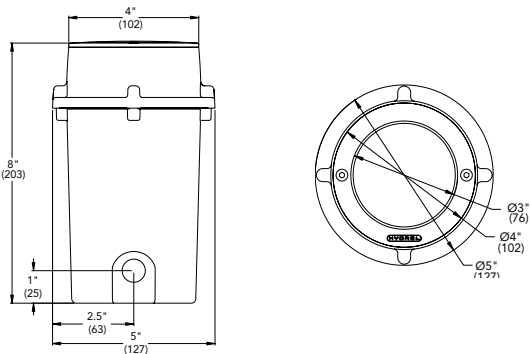
Suitable For Wet Locations



ORDERING INFORMATION

EXAMPLE: PDX4 QS B 9LED WHT30K MVOLT SP FLC 12B TKO

Model*	Program	Material*	LED Array*	LED Color*	Voltage*
PDX4	QS Quick ship (5 day shipping)	SS Stainless Steel B Bronze	9LED	WHT53K Cool White WHT41K Neutral White WHT30K Warm White	MVOLT ¹
Distribution*	Lens*	Conduit Entries*	Internal Tilt Kit		
SP Spot MFL Medium Flood	FLC Flat Lens Clear	12B Two 1/2" NPT Bottom (will include side entries as well)	TKO Tilt Kit Optic		



*Required Categories

Notes:

- MVOLT = 120-277 electronic power supply, non-dimmable.



9144 Deering Avenue, Second Floor • Chatsworth, CA 91311
Phone: 866.533.9901 • www.hydrel.com

©2014-2017 Acuity Brands Lighting, Inc.
12/21/17
PDX4_LED_LINEVOLTAGE_QS

LUMEN OUTPUT

Lumen values are from photometric tests performed in accordance with IESNA LM-79-08. Data is considered to be representative of the configurations shown, within the tolerances allowed by Lighting Facts. Actual performance may differ as a result of end-user environment and application. Contact factory for performance data on any configurations not shown here.

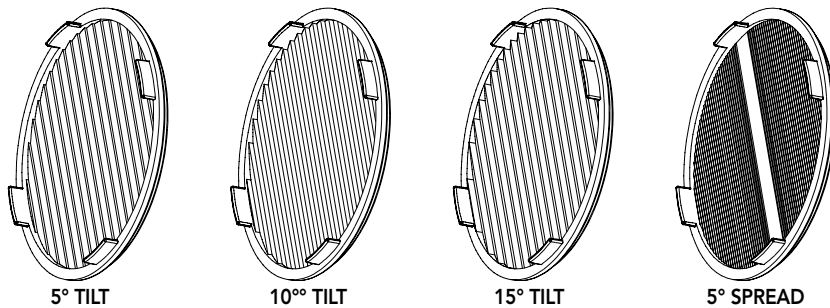
	Distribution	Nema Type	Beam Angle (50%) H x V	Field Angle (10%) H x V	Watts	LPW	Delivered Lumens
3000K 80CRI	SP	3 x 3	13.3 x 13.3	38.4 x 38.4	10	27	276
	MFL	3 x 3	21.9 x 21.9	42.1 x 42.1	10	31	332
4000K 68CRI	SP	3 x 3	13.3 x 13.3	38.4 x 38.4	10	46	459
	MFL	3 x 3	21.9 x 21.9	42.1 x 42.1	10	52	554
5000K 68CRI	SP	3 x 3	13.3 x 13.3	38.4 x 38.4	10	46	459
	MFL	3 x 3	21.9 x 21.9	42.1 x 42.1	10	52	554

OPERATING TEMPERATURE: -30°C Through 40°C

Lumen Ambient Temperature (LAT) Multipliers

Use these factors to determine relative lumen output for average ambient temperatures from 0-40°C (32-104°F).

Ambient	Lumen Multiplier
0°C / 32°F	1.02
10°C / 50°F	1.01
20°C / 68°F	1.00
25°C / 77°F	1.00
30°C / 86°F	0.99
40°C / 104°F	0.98



TKO optic kit includes a 5°, 10° and 15° tilt filters and a 5° axial spread filter. TKO kits are standard on PDX4 LED fixtures and include a mounting ring.

FEATURES & SPECIFICATIONS

CONSTRUCTION: Door material - die cast bronze or stainless steel. Housing - die cast bronze and injection molded thermoplastic. The housing is U.V. stabilized, impact and corrosion resistant for use in all types of environments. Conduit entries - two 1/2" NPT side entries standard, two 1/2" bottom entries are optional.

SOURCE: LED: Monochromatic LED, 9W

VOLTAGE: MVOLT (120-277)

LIGHT DISTRIBUTION: SP (Spot) or MFL (Medium Flood)

LENS/SEAL: Tempered clear flat borosilicate glass. The patent pending door / lens seal uses proprietary knife edge technology to secure the assembly to the housing. Two captive screws hold the assembly in place. The lens is notched to provide maximum aperture opening.

FIXTURE AIMING: The Paradox™ Series uses optical aiming filters. The TKO kit consists of 4 filters: 5°, 10° and 15° tilt and 5° axial spread.

ELECTRICAL: Integrally mounted modular LED transformer, prewired for easy installation and maintenance. Junction box suitable for thru-branch wiring.

FINISH: Natural bronze or stainless steel with a brushed finish.

LISTING: IP67, CSA, CSA_{US}

RATED: IC, non-IC, ground mounted recessed.

WARRANTY: 5-year limited warranty. Complete warranty terms located at: www.acuitybrands.com/CustomerResources/Terms_and_conditions.aspx

NOTE: Actual performance may differ as a result of end-user environment and application. All values are design or typical values, measured under laboratory conditions at 25 °C. Specifications subject to change without notice.

Projected LED Lumen Maintenance

Data references the extrapolated performance projections for the Fixture platform in a 25°C ambient, based on 8400 hours of LED testing (tested per IESNA LM-80-08 and projected per IESNA TM-21-11).

To calculate LLF, use the lumen maintenance factor that corresponds to the desired number of operating hours below. For other lumen maintenance values, contact factory.

Operating Hours	0	25,000	50,000	100,000
Lumen Maintenance Factor	1	0.98	0.97	0.95

Electrical Load

Light Engines	Drive Current (mA)	System Watts	Current (A)				
			120	208	240	277	347
9 LED	500mA	10	0.083	0.048	0.042	0.036	0.029



DESIGN2SHIP PROGRAM DETAILS

HOW TO ORDER

1. All Design2Ship orders should be activated through Agile. Orders must include the complete Design2Ship catalog number(s), which will include "QS" if part of the program.
2. Products not included in the Design2Ship program must be entered on a separate purchase order. *
3. Please be aware of the maximum order quantity listed on the product specification sheet. **
4. Please indicate any shipping notes or site restrictions.
5. Order Requirements
 - a. Complete ship-to address
 - b. Contact information
 - c. Complete Quick Ship catalog number
 - d. Pricing and commission rate

*Orders that include products not in the Design2Ship program will default to the longest lead time.

** If an order exceeds the product specification sheet quantity, then the following shall apply: If less than or equal to two times the maximum Design2Ship quantity, the order will be split into two delivery dates. The first shipment will go in 5 days, followed by the second in 10 days. If the order is more than two times the maximum Design2Ship quantity, then the order will not qualify as a Design2Ship order.

Maximum quantity of 25 per Quick Ship order

SHIPPING

Shipping lead time is 5 business days from date of clean release. All orders received after 3:30 p.m. EST will be processed the next business day and will receive an estimated ship date (ESD) from that date.

CHANGES/CANCELLATIONS

- Changes to the order are not permitted.
- Cancellation after release will result in a minimum 50% restocking fee.

NOTES

- Specifications subject to change without notice.
- Actual performance may differ as a result of end-user environment and application.
- No run longer than 20FT will validate using only 4FT sections.

