

INSTALLATION INSTRUCTIONS

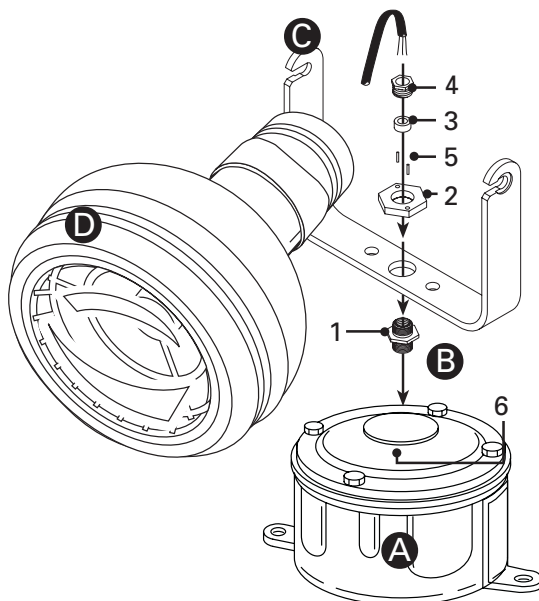
Installation should be performed by a qualified electrician in accordance with the National Electrical Code and relevant local codes.

1. Be sure the power is off.
2. Install the mounting accessory in the desired location using appropriate fasteners (*by others*). Mounting accessory sold separately.
3. Mount the fixture yoke to the accessory using the supplied cord seal fastener (included with mounting accessory).
4. Make all wiring connections to the fixture within the mounting accessory splice compartment.

NOTE: Make sure there is enough cord left free to adjust the aiming of the fixture.

5. Remove the two (2) outer cover knobs from the fixture yoke. Loosen the locking nuts and aim the fixture as required. Retighten the locking nuts securely and replace cover knobs.
6. Open the fixture lens door and install the proper lamp (see inside fixture label). Lamp sold separately.

INSTALLATION DIAGRAM



A Junction Box

B Cord Seal Assembly

1. Yoke Cord Seal
2. Nut Cord Seal
3. Cable Seal Grommet
4. Nut Seal
5. Set Screws (2)
6. Yoke Cord Seal Nut (**not shown**)

C Yoke

D Fixture