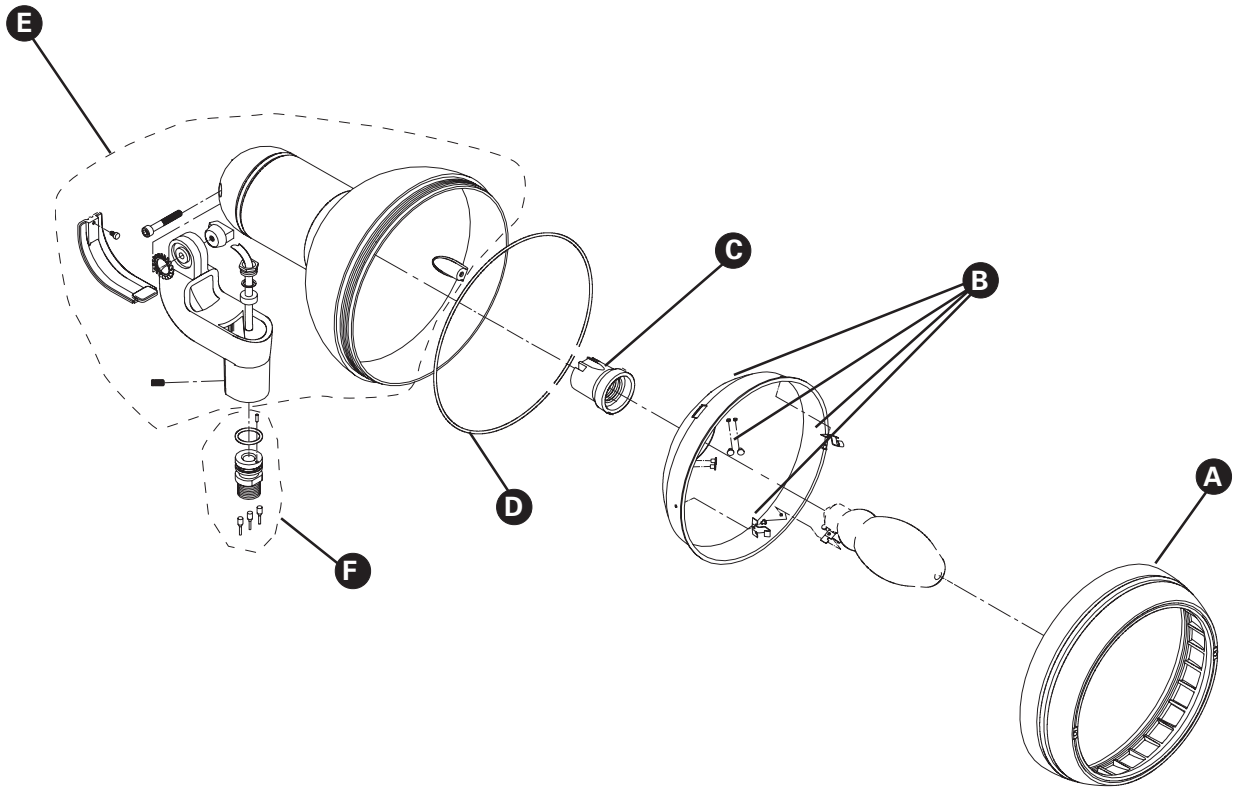


### 4650 KM



part number	description	number per fixture
<b>A</b> DA4650 __	Door Assembly (replace__ with paint finish)	1
<b>B</b> RA4650 E17 SP	Reflector Assembly - E17 Spot	1
RA4650 E17 NFL	Reflector Assembly - E17 Narrow Flood	1
RA4650 E17 MFL	Reflector Assembly - E17 Medium Flood	1
RA4650 E17 WFL	Reflector Assembly - E17 Wide Flood	1
RA4650 G12 TSP	Reflector Assembly - G12 Tight Spot	1
RA4650 G12 MFL	Reflector Assembly - G12 Medium Flood	1
RA4650 MC SP	Reflector Assembly - MC Spot	1
RA4650 MC MFL	Reflector Assembly - MC Medium Flood	1
RA4650 MC WFL	Reflector Assembly - MC Wide Flood	1
<b>C</b> SKT7135	Socket - Medium Base, E17 and PAR38	1
SKT7114	Socket - Mini-can, T-4 Quartz	1
SKT7306	Socket - Mogul End-Prong, PAR56	1
SKT7586	Socket - G12, T6	1
<b>D</b> G80274	O-Ring Gasket	1
<b>E</b> BDY4650__	Body Assembly (replace__ with paint finish)	1
<b>F</b> STA4600 12	1/2" NPT Stem Assembly	1
STA4600 16	PG16 Stem Assembly	1