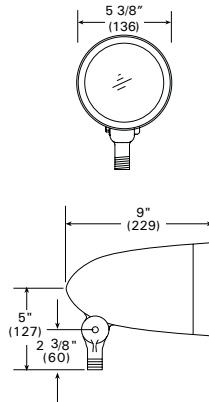
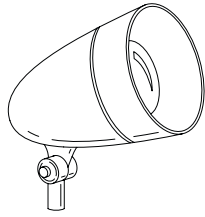


4709 BULLET LIGHTS



Specifications

L:	9" 229 mm
W:	5 - 3/8" 136 mm
H:	5" 127 mm

CATALOG NUMBER	
NOTES	
TYPE	

DESCRIPTION

Designed for installation where cost and reliability are paramount. These die cast aluminum fixtures accept the popular PAR-38 lamps. Available for use with Incandescent or Metal Halide lamps.

ORDERING INFORMATION

EXAMPLE: 4709 P38100CM 277 SP CLC BPCA GS SF LPI TVG

4709	P38100CM	277	SP	CLC	
Model	Lamp Type	Voltage	Distribution	Lens	Mounting Options
4709	MH ¹	120	SP Spot	CLC Clear	Independent Mounting
	P3870M PAR-38 Med.	208	FL Flood		ARJB Architectural J-Box, Alum.
	P38100M PAR-38 Med.	240			FJB Flush Junction Box
	P38150M PAR-38 Med.	277			JBA Alum. J-Box
	P3870CM PAR-38 Med.	347			JBB Bronze J-Box
	P38100CM PAR-38 Med.	120/277			PSS_ 18", 24", or 36" Polymer Sealed Ground Spike
		TB (120, 208, 240, 277)			PSSA Pedestal Stanchion Mt
		MVOLT ³ (120-277)			SBA_ ⁴ 12" or 18" Stake Mounted J-Box, Alum.
					SBB_ ⁴ 12" or 18" Stake Mounted J-Box, Bronze
					SMSA_ 12"-48" Stanchion Mt, available in 6" increments.
					TRA Tree Mounted J-Box, Alum.
					TRB Tree Mounted J-Box, Bronze
					_TRAS ⁵ Tree Mounted J-Box w/Alum. mounting strap, available with 1-4 J-Boxes per strap
					_TRBS ⁵ Tree Mounted J-Box w/Bronze mounting strap, available with 1-4 J-Boxes per strap
					WMC 12"-48" Stanchion Mt, available in 6" increments.
					WMSA Pedestal Stanchion Mt

BPCA	GS	SF	LPI	TVG
Mounting Options (Cont'd)	Accessories	Options	Lamp	Finish
HID Ballast Enclosures²	Mounting	Fusing	LPI Lamp Included	BL Black
SPCA Sm. Polymeric Combo Box, Alum. Cover, 70W Max.	EA__ ⁶ Extended Arm Mt, 12", 24" or 36"	SF ⁸ Single Fuse		BZ Bronze
SPCB Sm. Polymeric Combo Box, Bronze Cover, 70W Max.	EA45__ ⁶ 45° Extended Arm Mt, 12", 24" or 36"	DF ⁹ Double Fuse		DDB Dark Bronze
BPCA Big Polymeric Combo Box, Alum. Cover, 150W Max.	EA90__ ⁶ 90° Extended Arm Mt, 12", 24" or 36"	Ballasting		DNA Natural Aluminum
BPCB Big Polymeric Combo Box, Bronze Cover, 150W Max.	STB ⁷ Stabilizer Bar	GEB ¹⁰ Electronic Ballast		GN Green
SSB Sm. Alum. Surface Box, 70W Max.	External			GR Gray
SSBTS Sm. Tree Mounted Box	GS Glare Shield			SND Sand
				STG Steel Gray
				TVG Terra Verde Green
				WH White
				CF Custom
				__Z ¹¹ Zinc Undercoat (i.e. BLZ)

Notes:

- Separate ballast enclosure required for HID models.
- CLC provided on all HID models.
- MVOLT only valid if GEB is chosen.
- For 120 Volt portable applications only.
- For multiple TRAS boxes the number of fixture heads and accessories will be equal to the number of boxes ordered.
- EA extending arm accessories are available with BSB, SSB and WMSA mountings only. Double EAD arms also available (consult factory).
- STB available with PSS18, PSS24, PSS36, BPCA and SPCA.
- SF is only available with 120, 277 or 347 volts on HID only.

- DF is only available with 208 or 240 volts on HID only.
- GEB only valid with MH lamps.
- Add Zinc undercoat for harsh environments.

NOTE: Hydrel Reserves The Right To Modify Specification Without Notice. Any dimension on this sheet is to be assumed as a reference dimension: "Used for information purposes only. It does not govern manufacturing or inspection requirements." (ANSI Y14.5-1973)



One Lithonia Way Conyers GA. 30012
Phone: 800-705-SERV (7378) • www.hydrel.com

©2014-2019 Acuity Brands Lighting, Inc.
05/16/19
4709

FEATURES & SPECIFICATIONS

MATERIAL: Die cast aluminum.

LAMP: HID: PAR-38,150W Max.

VOLTAGE: See ordering guide.

SOCKET: Pulse rated medium base.

DISTRIBUTION: Beam spread by lamp type. See ordering guide.

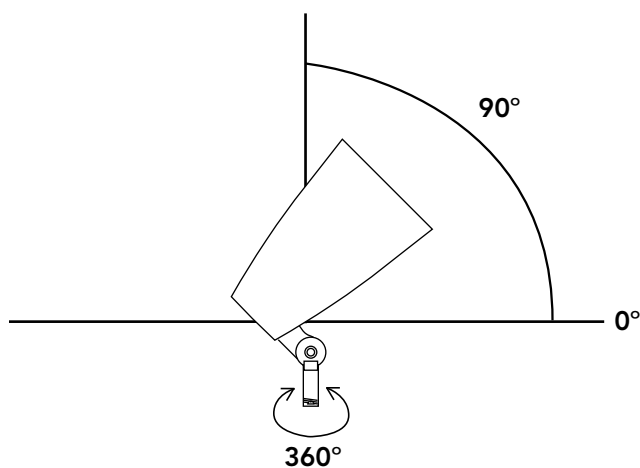
LENS: Convex tempered glass (HID), lens optional on Incandescent models.

MOUNTING: 1/2" NPT adjustable knuckle.

FINISH: Super durable Polyester TGIC powder coat finish (standard). Optional Zinc undercoat for harsh environments.

FASTENERS: Stainless Steel.

FIXTURE AIMING



Fixture knuckle may be swivelled 360°.

Fixture head must be aimed from horizontal, to straight up, do not mount with fixture facing down.