

INSTALLATION INSTRUCTIONS

Installation should be performed by a qualified electrician in accordance with the National Electrical Code and relevant local codes.

INCANDESCENT

1. Be sure power is turned off.
2. Loosen knuckle bolt on fixture.
3. Install fixture to j-box cover using thread sealing compound on knuckle threads to insure watertightness. (Masonry or earth only)
4. Install j-box gasket on box.
5. Make electrical connections.
6. Install j-box cover and fixture to j-box. Tighten screws evenly.
7. Aim fixture and re-tighten knuckle bolt.
8. Install lamp (by others) in socket.

Note:

Use only correct type and rated Voltage lamp.

HID & LV

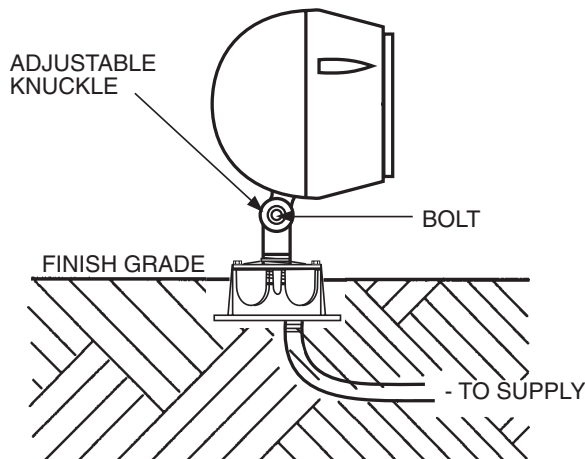
1. Be sure power is turned off.
2. Remove splice box cover.
3. Install combo box flush with finish grade and use thread sealing compound when connecting supply conduit.
4. Install fixture to splice box cover using thread sealing compound to insure water tightness.
5. Install splice box gasket.
6. Make line and load electrical connections as required.
7. Install splice box cover and tighten screws as shown.
8. Loosen knuckle bolt and aim fixture.
9. Re-tighten knuckle bolt.
10. Install lamp (by others) in socket.

Note:

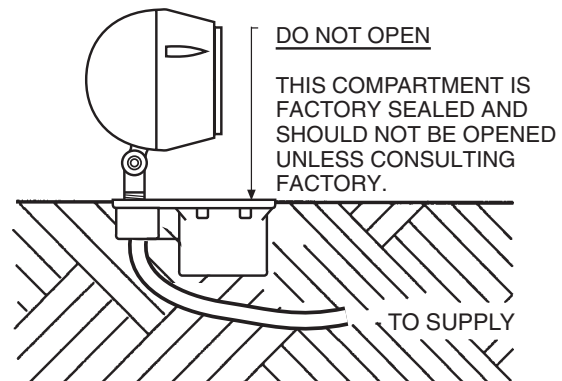
Use only correct type and rated Voltage lamp.

INSTALLATION DIAGRAM

INCANDESCENT



HID & LV



LV/HID MODELS

TIGHTEN SPLICE BOX SCREWS USING A CRISS-CROSS PATTERN TO 50 INCH POUNDS (MINIMUM).

