

## INSTALLATION INSTRUCTIONS

Installation should be performed by a qualified electrician in accordance with the National Electrical Code and relevant local codes.

### INCANDESCENT (or fixture head only)

1. Be sure power is turned off.
2. Loosen knuckle stem set screws - Remove stem from knuckle
3. Install stem to J-box cover using thread sealing compound on threads to insure watertightness (masonry or earth only).
4. Re-Install knuckle over stem, inserting cable through stem opening. Snug set screws.
5. Install J-box gasket on box.
6. \*Make electrical connections.
7. Install J-box cover and fixture to J-box. Tighten screws evenly.
8. Aim fixture and retighten knuckle bolt.
9. Unscrew lens cover. Install lamp (by others) in socket. Replace Lens cover. Take care not to cross thread lens cover when tightening.

### HID (over recessed wall box)

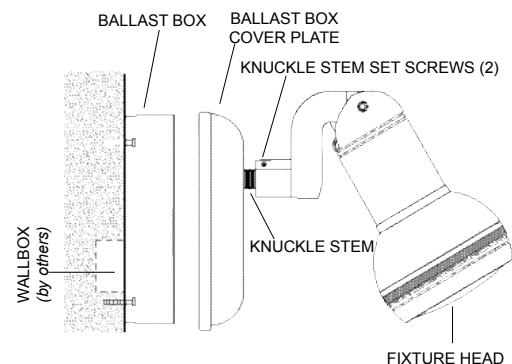
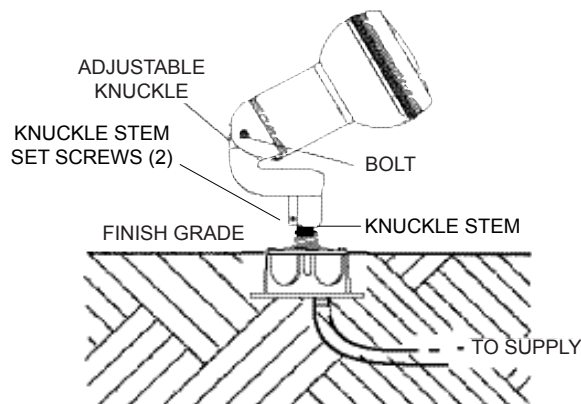
1. Be sure power is turned off.
2. Attach fixture to Ballast box cover plate. (See "fixture

head only" directions)

3. Pull wires from wall box through hole in back of Ballast box.
4. Attach the Ballast box to the wall using suitable screws (screws by others). Be sure to seal around mounting screws to prevent water entry.
5. \*Make electrical connections to the fixture. Attach supply line wire to the wire labeled *LINE* from the Ballast box. Connect the Neutral wire from the supply to the white wire in the Ballast Box. Be sure that the ground wire is attached to an approved grounding source.
6. Attach the fixture and cover plate to the Ballast box using the screws provided
7. Loosen bolt in knuckle and knuckle stem set screws to aim fixture. When aimed properly, retighten the knuckle bolt and set screws.
8. Unscrew lens cover. Install lamp (by others) in socket. Replace lens cover.

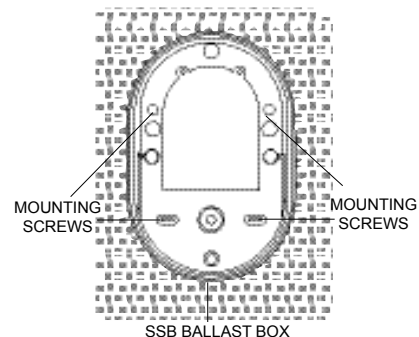
Note: Use only manufacturer recommended lamps.

## INSTALLATION DIAGRAM



### \*IMPORTANT:

Junction Box/Ballast Box must be water tight. Seal all conduit entries with suitable compound (e.g. Hydrel PC-21 re-enterable potting compound) to prevent moisture penetration from the supply conduit system.



## INSTALLATION INSTRUCTIONS

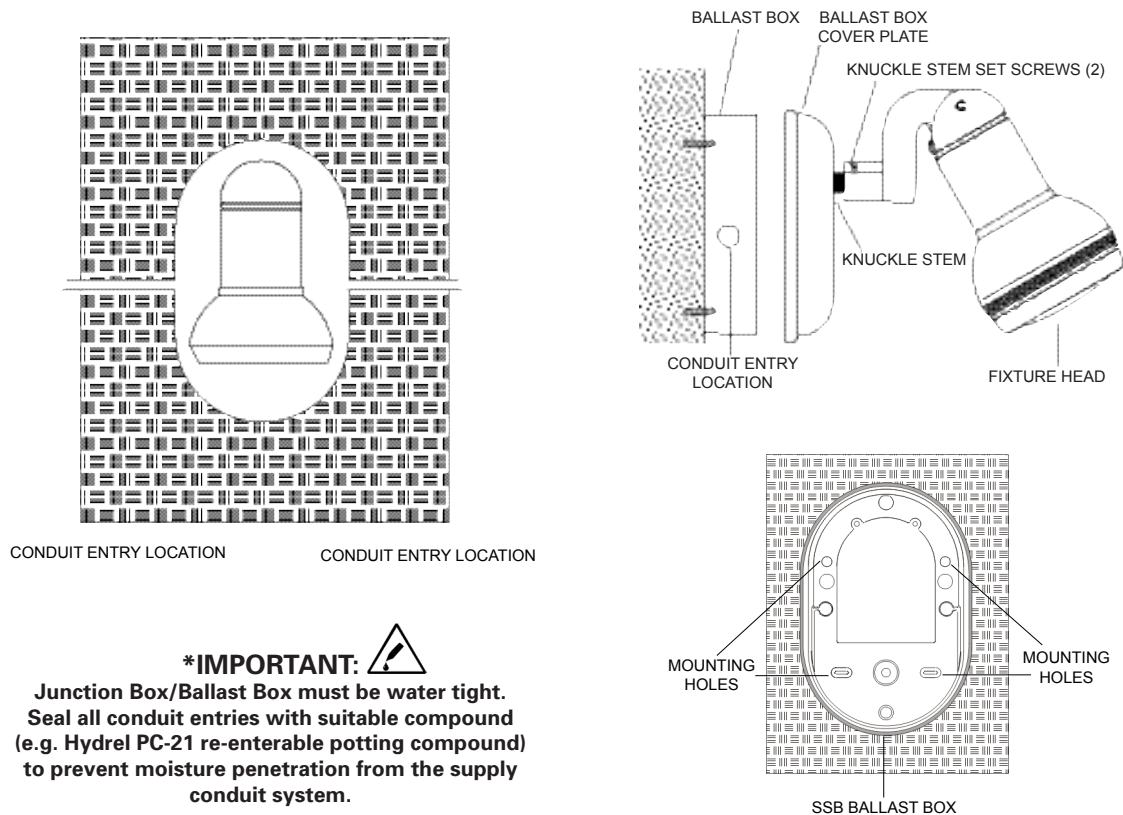
Installation should be performed by a qualified electrician in accordance with the National Electrical Code and relevant local codes.

### HID (with surface mounted conduit)

1. Be sure power is turned off
2. Attach fixture to Ballast box cover plate. (See "fixture head only" directions).
3. Pull wires from surface conduit through hole in side of Ballast Box.
4. Attach the Ballast box to the wall using suitable screws (screws by others). Be sure to seal around mounting screws to prevent water entry.
5. \*Make electrical connections to the fixture. Attach supply *LINE* wire to the wire labeled *LINE* from the ballast box. Connect the neutral wire from the supply to the white wire in the Ballast box. Be sure that the ground wire is attached to an approved grounding source.
6. Attach the fixture and cover plate to the Ballast box using the screws provided.
7. Loosen bolt in knuckle and knuckle stem set screws to aim fixture. When aimed properly, retighten the knuckle bolt and set screws.
8. Unscrew lens cover. Install Lamp (by others) in socket. Replace lens cover.

Note: Use only manufacture recommended lamps

## INSTALLATION DIAGRAM



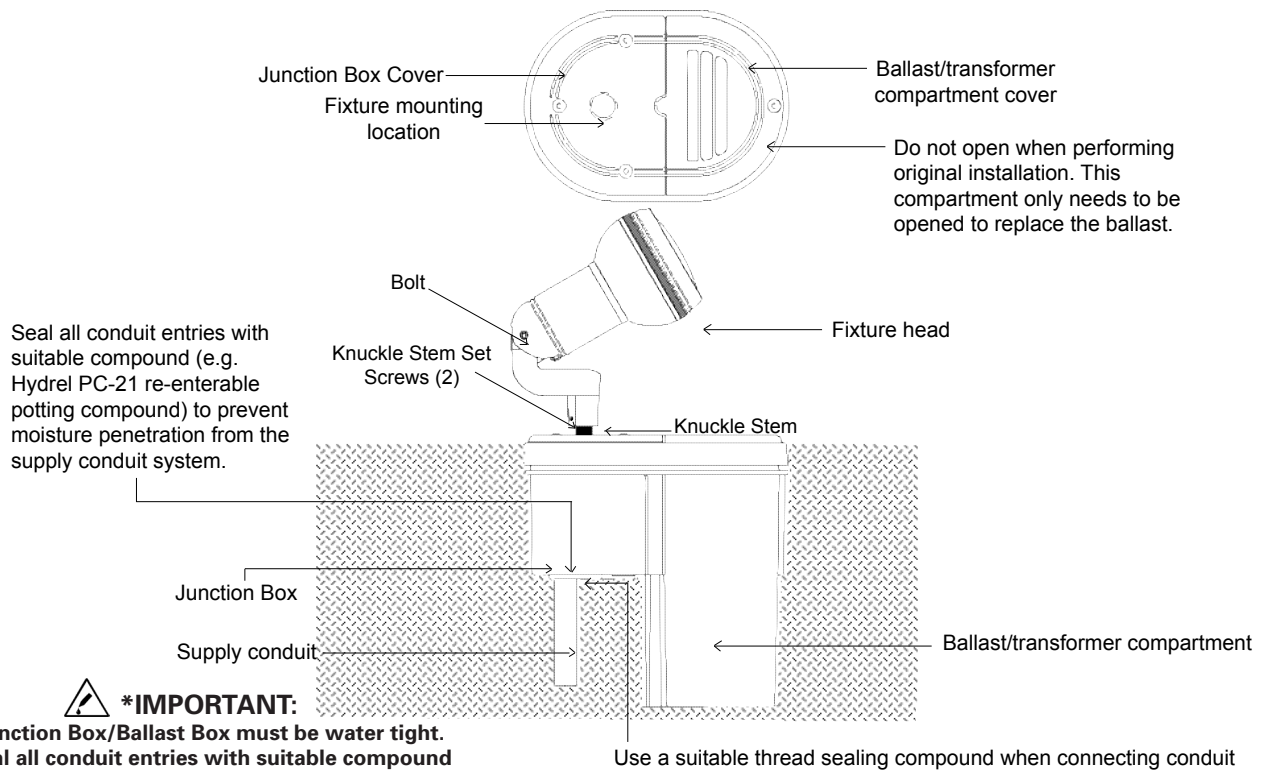
## INSTALLATION INSTRUCTIONS

Installation should be performed by a qualified electrician in accordance with the National Electrical Code and relevant local codes.

1. Be sure power is turned off.
2. Attach fixture to Junction box cover plate
3. Attach conduit to the box using a suitable thread sealant. Be sure to seal the conduit with a suitable compound to prevent moisture penetration (see notes on drawing).
4. Pull wires from conduit through hole in bottom of box.
5. \*Make electrical connections to the fixture. Attach supply LINE wire to the appropriate wire labeled LINE from the Ballast/Transformer box. Connect the neutral wire from the supply to the white wire in the Ballast/Transformer box. Be sure that the ground wire is attached to an approved grounding source.
6. Attach the fixture and Junction box cover plate to the Ballast box using the screws provided.
7. Loosen bolt in knuckle and knuckle stem set screws to aim fixture. When aimed properly, retighten the knuckle bolt and set screws.
8. Unscrew lens cover. Install lamp (by others) in socket. Replace lens cover.

NOTE: Use only manufacture recommended lamps

## INSTALLATION DIAGRAM



### \*IMPORTANT:

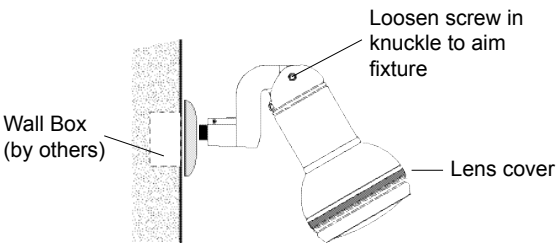
**Junction Box/Ballast Box must be water tight. Seal all conduit entries with suitable compound (e.g. Hydrel PC-21 re-enterable potting compound) to prevent moisture penetration from the supply conduit system.**

**INSTALLATION INSTRUCTIONS**

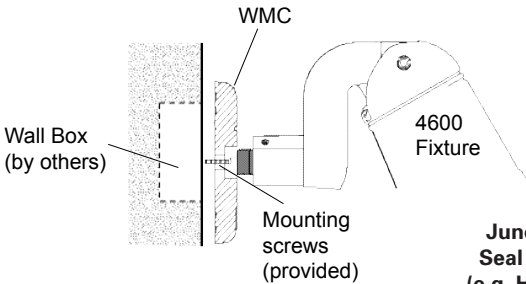
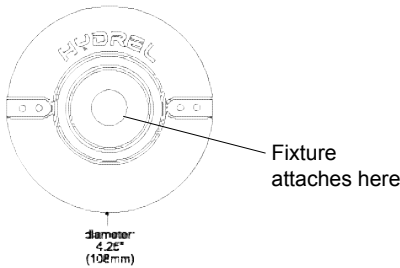
Installation should be performed by a qualified electrician in accordance with the National Electrical Code and relevant local codes.

1. Be sure power is turned off.
2. Place provided gasket in back of wall mount cover (WMC) plate, and pull fixture wires through WMC
3. Attach fixture to threaded opening in the WMC.
4. Make all electrical connections to the fixture. Attach supply *LINE* wire to the black wire from the fixture. Connect the Neutral wire from the supply to the white wire of the fixture. Be sure that the ground wire is attached to an approved grounding source.
5. Attach WMC to mounting surface using the two screws provided or appropriate hardware to support the fixture.
6. Loosen the allen screw in the side of the knuckle and aim the fixture. Retighten the screw in the knuckle.
7. Unscrew the fixture lens cover and install proper lamp type (by others).
8. Replace lens cover making sure that the cover fits snugly.

**INSTALLATION DIAGRAM**



**WALL MOUNT COVER (WMC)**

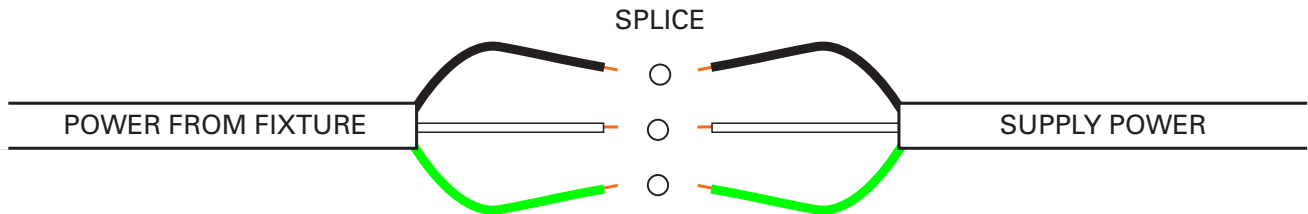


**\*IMPORTANT:**  
Junction Box/Ballast Box must be water tight. Seal all conduit entries with suitable compound (e.g. Hydrel PC-21 re-enterable potting compound) to prevent moisture penetration from the supply conduit system.

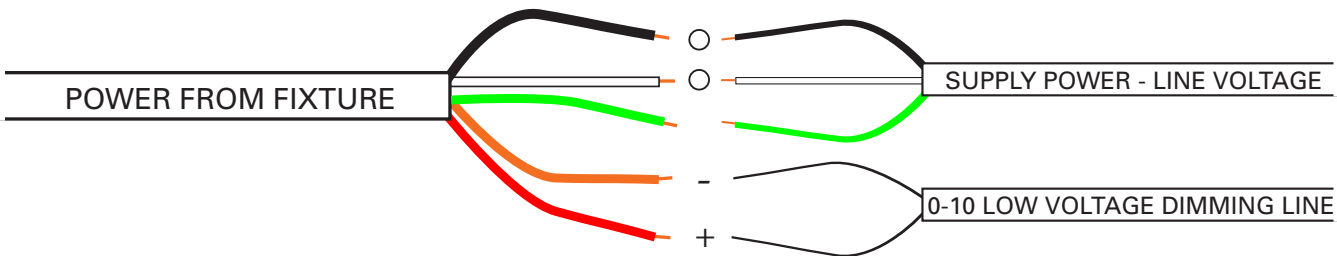
**INSTALLATION INSTRUCTIONS**  
**WIRING DIAGRAMS**

Installation should be performed by a qualified electrician in accordance with the National Electrical Code and relevant local codes.

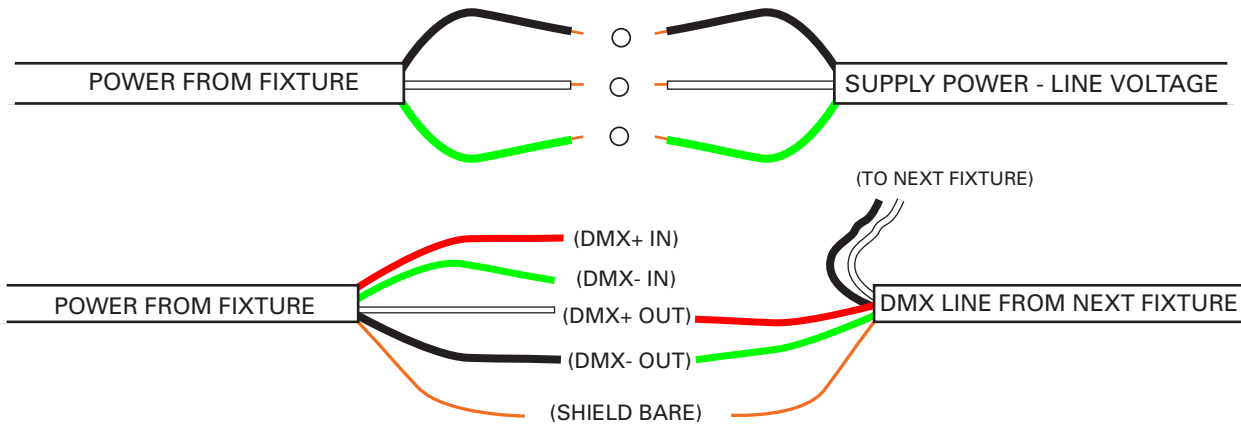
**1. STANDARD 3 WIRE ELECTRICAL - SINGLE CORD TO SINGLE CORD**



**2. LDIM 5 WIRE - SINGLE CORD TO DOUBLE CORD**

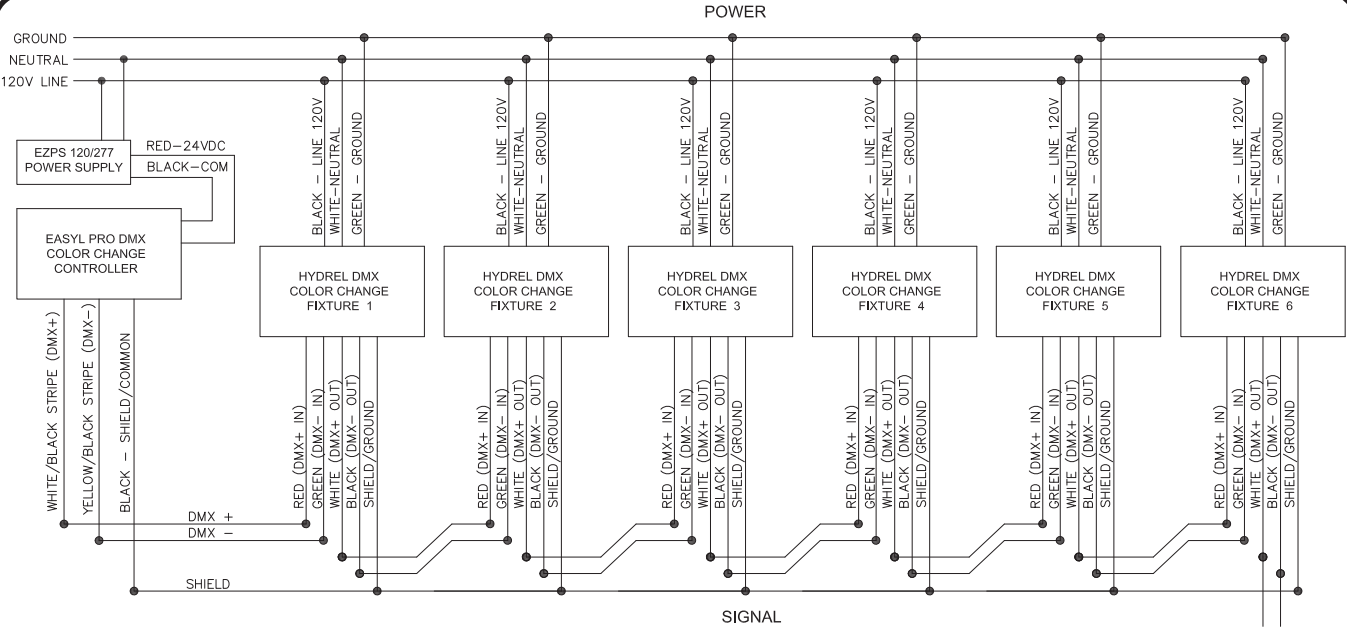


**3. DMX RGB - DOUBLE CORD TO DOUBLE CORD**



## INSTALLATION INSTRUCTIONS DMX WIRING DETAIL

Installation should be performed by a qualified electrician in accordance with the National Electrical Code and relevant local codes.



**WIRING AND SYMBOL NOTES**

DMX512 COMPLIANT CABLE REQUIRED. DMX512 BUS NETWORK MAY BE NO MORE THAN 1,200 METERS (3,900 FEET) LONG, WITH NOT MORE THAN 32 DEVICES ON A SINGLE BUS. IF MORE THAN 32 DEVICES NEED TO COMMUNICATE, THE NETWORK CAN BE EXPANDED ACROSS PARALLEL BUSES USING DMX SPLITTERS. NETWORK WIRING CONSISTS OF A SHIELDED TWISTED PAIR WITH A CHARACTERISTIC IMPEDANCE OF 120 OHMS, WITH A TERMINATION RESISTOR AT THE END OF THE CABLE FURTHEST FROM THE CONTROLLER TO ABSORB SIGNAL REFLECTIONS. CABLES DESIGNED FOR EIA485 TYPICALLY MEET THE DMX512 ELECTRICAL SPECIFICATIONS. ALL DEVICES CONNECTING TO THE NETWORK MUST BE WIRED IN A DABSY CHAIN SCHEME -IN AND OUT. T TAPS OR BRANCHES IN THE NETWORK ARE NOT PERMITTED.

DMX FIXTURE CONTROL: FIXTURE TYPE RGBI UTILIZE 4 DMX CHANNELS PER FIXTURE WITH SEQUENTIAL NUMBERING (1-2-3-4, 5-6-7-8, 9-10-11-12, etc.) FIXTURE TYPE RBG UTILIZE 3 DMX CHANNELS PER FIXTURE WITH SEQUENTIAL NUMBERING (1-2-3, 4-5-6, 7-8-9, etc.)

	<p>©2013 Acuity Brands Lighting, Inc.</p> <p>20660 Nordhoff St., Suite B, Chatsworth, CA 91311 Phone: 866.533.9901 Fax: 866.533.5291 www.hydrel.com</p>	<p>DESCRIPTION:</p> <p>WIRING DETAIL – HYDREL DMX FIXTURE CONNECTIONS TO AXION EASYL PRO COLOR CHANGING CONTROLLER</p>
--	---	--