



# 4519 SERIES

## Accent Up-Light

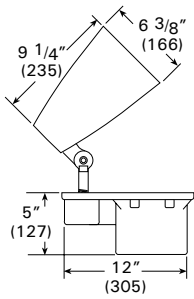
CATALOG NUMBER	
NOTES	
TYPE	

### DESCRIPTION

The 4519 knuckle mount accent light is rugged, economical, and adjustable. This all-purpose unit spotlights architectural or landscape features from the ground or from simple mountings on walls or in trees. The 4519 operates the popular PAR-38 lamp.

#### Specifications

L:	9 - 1/4" 235 mm
W:	6 - 3/8" 166 mm
H:	See Diagram To Right



HID

### ORDERING INFORMATION

EXAMPLE: 4519 P3870M 120 WFL CLC SSB SF LPI BL

Model	Lamp type	Voltage	Distribution	Lens	Mounting Accessories
4519	MH <sup>1</sup>	120	NR No Lamp	CLC Convex Lens Clear	JBA Alum. J-Box
	P3035CM PAR-30, med. base	208 <sup>2</sup>	SP Spot		SBB_ 12" or 18" Stake Mounted J-Box, Bronze
	P3070CM PAR-30, med. base	240 <sup>2</sup>	FL Flood		JBB Bronze J-Box
	P3870M PAR-38, med. base	277 <sup>2</sup>	WFL <sup>3</sup> Wide Flood		PSS_ 18", 24", or 36" Polymer Sealed Ground Spike
	P38100M PAR-38, med. base	347 <sup>2</sup>			TRA Tree Mounted J-Box, Alum.
	P38150M PAR-38, med. base	120/277 <sup>2</sup>			PSSA Pedestal Stanchion Mt
		TB <sup>2</sup>			TRB Tree Mounted J-Box, Bronze
		MVOLT <sup>2</sup>			WMC Wall Mt Cover
					_TRAS <sup>4</sup> Tree Mounted J-Box w/Alum. mounting strap, available with 1-4 J-Boxes per strap
					WMSA Wall Mt with Splice Access
					_TRBS <sup>4</sup> Tree Mounted J-Box w/Bronze mounting strap, available with 1-4 J-Boxes per strap
					SBA_ 12" or 18" Stake Mounted J-Box, Alum.

Mounting Accessories (Cont'd)	Accessories	Options	Lamp	Finish
<b>HID Ballast Enclosures</b>		<b>Fusing</b>	LPI Lamp Included	BL Black
SPCA Small Polymeric Combo Box, Alum. Cover, 70W Max.	EA__ Extended Arm Mt, 12", 24" or 36"	SF <sup>5</sup> Single Fusing		BZ Bronze
SPCB Small Polymeric Combo Box, Bronze Cover, 70W Max.	EA45__ 45° Extended Arm Mt, 12", 24" or 36"	DF <sup>6</sup> Double Fusing		DDB Dark Bronze
BPCA Big Polymeric Combo Box, Alum. Cover, 150W Max.	EA90__ 90° Extended Arm Mt, 12", 24" or 36"	<b>Ballasting</b>		DNA Natural Aluminum
BPCB Big Polymeric Combo Box, Bronze Cover, 150W Max.	GS Glare Shield	GEB <sup>7</sup> Electronic Ballast		GN Green
SSB Small Alum. Surface Box, 70W Max.				GR Gray
				SND Sand
				STG Steel Gray
				TVG Terra Verde Green
				WH White
				CF Custom
				__Z <sup>8</sup> Zinc Undercoat (i.e. BLZ)

#### Notes:

1. Separate ballast enclosure required for HID models.
2. Only available with HID lamps.
3. WFL only valid with P3870M and P38100M.
4. For multiple TRAS boxes the number of fixture heads and accessories will be equal to the number of boxes ordered.
5. SF is only available with 120, 277 or 347 volts on HID only.
6. DF is only available with 208 or 240 volts on HID only.
7. Only available with MH lamps.
8. Add Zinc undercoat for harsh environments.



One Lithonia Way Conyers GA. 30012  
Phone: 800-705-SERV (7378) • www.hydel.com

©2014-2019 Acuity Brands Lighting, Inc.  
05/22/19  
4519

## FEATURES & SPECIFICATIONS

**MATERIAL:** Cast Aluminum with cast Bronze knuckle.

**LAMP:** HID: PAR-38, 150 Watt Max.

**VOLTAGE:** See ordering guide.

**SOCKET:** Medium base.

**LENS:** Convex, clear tempered glass.

**MOUNTING:** 1/2" NPT adjustable knuckle.

**FINISH:** Super durable Polyester TGIC powder coat finish (standard). Optional Zinc undercoat for harsh environments.

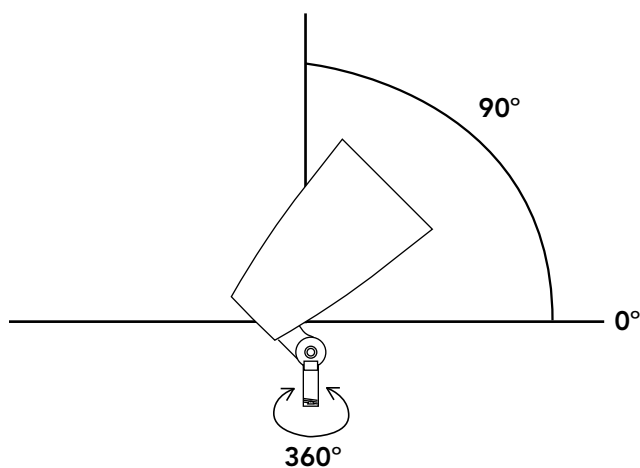
**FASTENERS:** Stainless steel.

**LISTING:** U.L.

**WARRANTY:** 1-year limited warranty. Complete warranty terms located at: [www.acuitybrands.com/CustomerResources/Terms\\_and\\_conditions.aspx](http://www.acuitybrands.com/CustomerResources/Terms_and_conditions.aspx).

**NOTE:** Actual performance may differ as a result of end-user environment and application. Specifications subject to change without notice.

## FIXTURE AIMING



Fixture knuckle may be swivelled 360°.

Fixture head must be aimed from horizontal, to straight up, do not mount with fixture facing down.