

INSTALLATION INSTRUCTIONS

ROUGH-IN SECTION

(MRIS)

Installation should be performed by a qualified electrician in accordance with the National Electrical Code and relevant local codes.

TO INSTALL

SUITABLE FOR WET LOCATIONS • IP68  

1. Dig hole to appropriate depth allowing for 6" minimum of pea gravel at bottom of rough-in-section for drainage.
Note: More pea gravel or additional drainage may be required in locations that have poor soil drainage and/or subject to freezing.

2. Install the rough-in-section flush with finish grade of earth or concrete only.

 **CAUTION: WHEN INSTALLING IN ORGANIC MULCH, SURROUND ROUGH-IN-SECTION WITH APPROX. SIX INCHES (15cm) OF SAND OR OTHER NON-ORGANIC SUBSTANCE.**

 **CAUTION: TEMPORARY COVER MUST REMAIN IN HOUSING DURING INSTALLATION.**

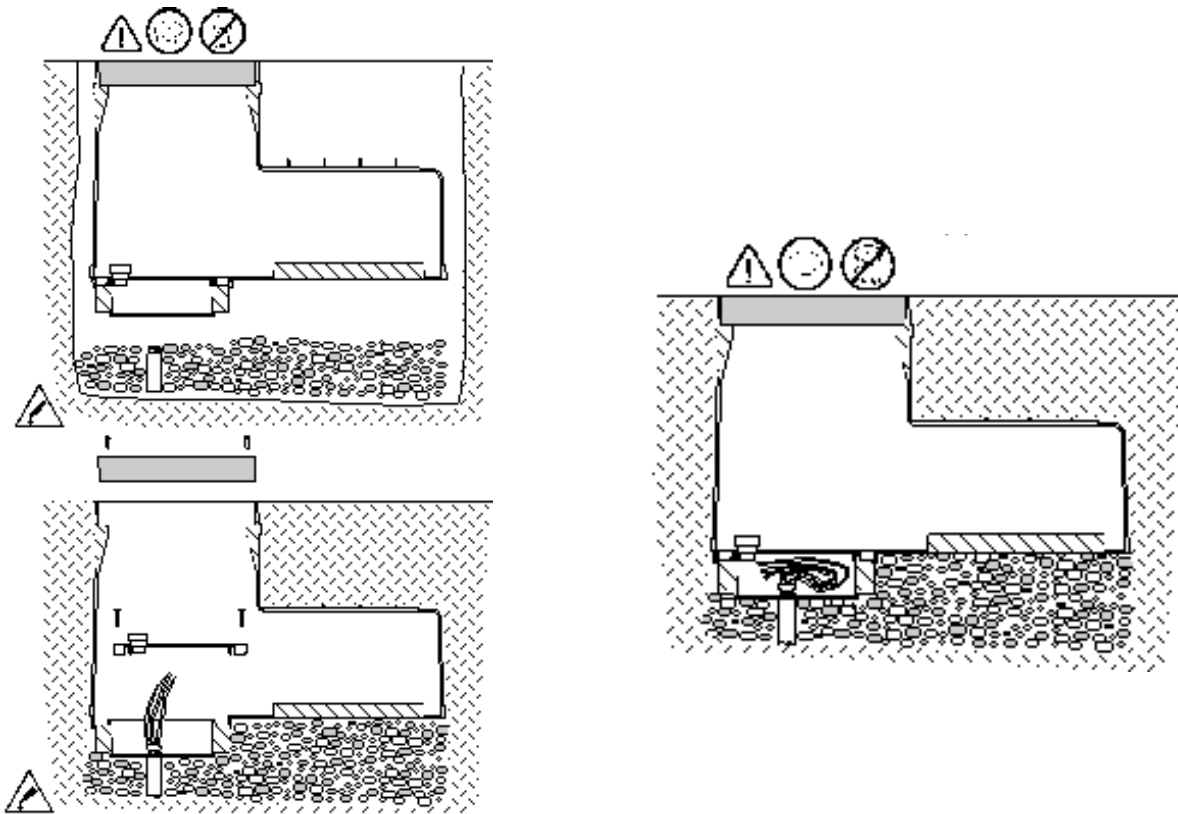
3. Connect conduit to junction box. Use suitable thread sealing compound.

TO PULL ELECTRICAL CONDUCTORS

1. Remove temporary cover with fastener wrench provided.
2. Remove junction box cover. (Gasket should remain in place) pull conductors.
3. Seal conduit entry with suitable compound to prevent moisture penetration from conduit system.
4. Re-install junction box cover with fasteners provided. **CAUTION: DO NOT OVER TIGHTEN (20 in-lbs or 2 N-m).**
5. Re-install temporary cover with supplied fasteners. **CAUTION: DO NOT OVER TIGHTEN (20 in-lbs or 2 N-m).**

 **CAUTION: LEAVE TEMPORARY COVER IN PLACE UNTIL READY TO INSTALL FINISHING SECTIONS.**

INSTALLATION DIAGRAM (M9400 HID)



INSTALLATION INSTRUCTIONS

Installation should be performed by a qualified electrician in accordance with the National Electrical Code and relevant local codes.

M9400 MODELS **M9700 MODELS** **M9800 MODELS**
INCANDESCENT **INCANDESCENT** **INCANDESCENT**
FLUORESCENT **FLUORESCENT** **HID**
LOW VOLTAGE **HID** **LED**
HID (M9450 ONLY) LED
LED
TO INSTALL

1. Dig hole to appropriate depth allowing for 6" minimum of pea gravel at bottom of rough-in-section for drainage.

Note: More pea gravel or additional drainage may be required in locations that have poor soil drainage and/or subject to freezing.

2. Install the rough-in-section flush with finish grade of earth or concrete only.

CAUTION: WHEN INSTALLING IN ORGANIC MULCH, SURROUND ROUGH-IN-SECTION WITH APPROX. SIX INCHES (15cm) OF SAND OR OTHER NON-ORGANIC SUBSTANCE.

CAUTION: TEMPORARY COVER MUST REMAIN IN HOUSING DURING INSTALLATION.

3. Connect conduit to junction box. Use suitable thread sealing compound.

TO PULL ELECTRICAL CONDUCTORS

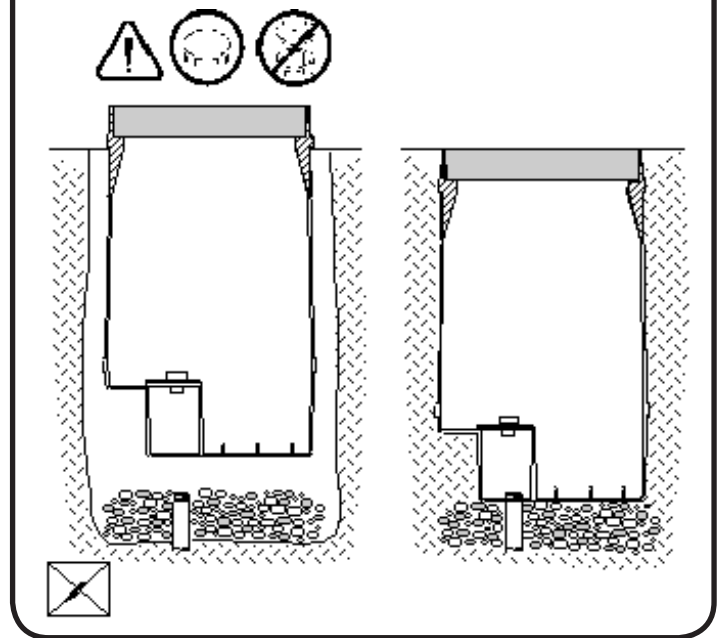
1. Remove temporary cover with fastener wrench provided.
2. Remove junction box cover and gasket. Pull conductors.
3. Seal conduit entry with suitable compound to prevent moisture penetration from conduit system.
4. Re-install junction box cover and gasket with fasteners provided. **CAUTION: DO NOT OVER TIGHTEN (20 in-lbs or 2 N-m).**
5. Re-install temporary cover with supplied fasteners. **CAUTION: DO NOT OVER TIGHTEN (20 in-lbs or 2 N-m).**

CAUTION: LEAVE TEMPORARY COVER IN PLACE UNTIL READY TO INSTALL FINISHING SECTIONS.

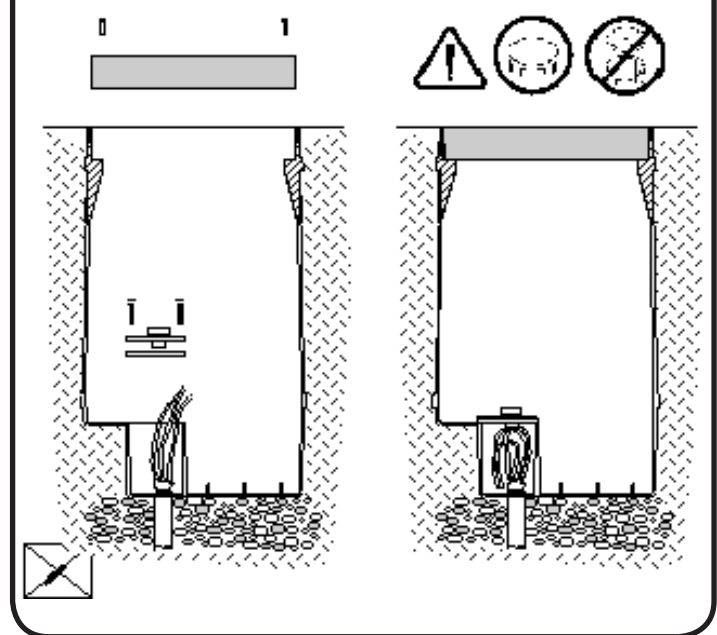
ROUGH-IN SECTION (MRIS)

SUITABLE FOR WET LOCATIONS • IP68

INSTALLATION DIAGRAM



INSTALLATION DIAGRAM



NOTE: HYDREL RESERVES THE RIGHT TO MODIFY SPECIFICATION WITHOUT NOTICE. Any dimension on this sheet is to be assumed as a reference dimension: "Used for information purposes only. It does not govern manufacturing or inspection requirements." (ANSI Y14.5-1973)

20660 Nordhoff St., Suite B
 Chatsworth, CA 91311
 Phone: 866.533.9901
 Fax: 866.533.5291
www.hydreel.com